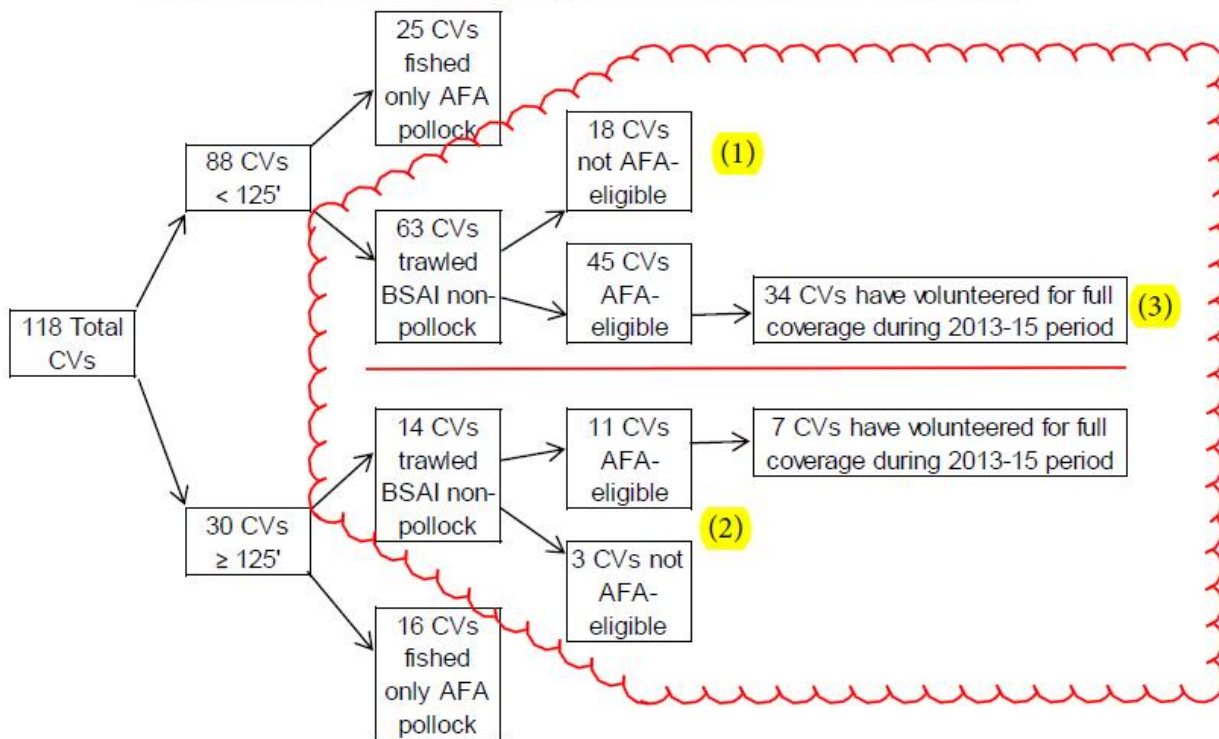


Figure 2 Map of BSAI trawl CVs by vessel length, fishery participation, AFA-eligibility, and history of volunteering for full observer coverage (vessels active in the BSAI since 2010)



- (1) Observer data are received electronically.
- (2) Possible duplicative observer data entry and transmission requirements when a vessel >125' LOA is in the partial observer coverage category.
- (3) Observer data are transmitted by fax. Some vessels voluntarily provide a computer and data transmission.

After reviewing NMFS' contributed text in the context of the entire Analysis, NMFS would like to remove the recommendation in bold on page 42 of the Analysis and address the observer data entry and transmission requirements through a separate discussion paper.